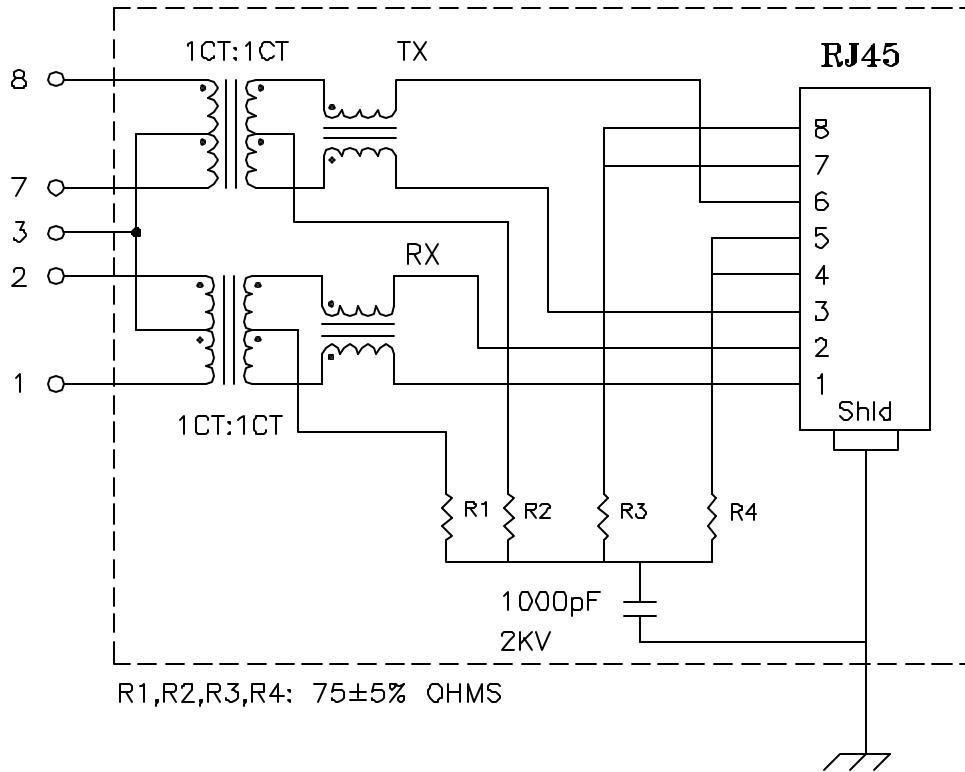


Schematic:

(One of Four)



Electrical Specifications: @25°C

- Isolation Voltage: 1500 Vrms (Input to Output)
- Turns Ratio: TX 1CT:1CT ±3% RX 1CT:1CT ±3%
- CABLE SIDE OCL: 350uH Minimum @100KHz 100mV 8mADC
- Insertion Loss (300KHz-100MHz): -1.0dB Maximum
- Return Loss: @30MHz -20dB Minimum
- @80MHz -15dB Typ

Notes:

1. Solderability: Leads shall meet MIL-STD-202G, Method 208H for solderability.
2. Flammability: UL94V-0
3. ASTM oxygen index: > 28%
4. Insulation System: Class F 155°C. UL file E151556
5. Operating Temperature Range: All listed parameters are to be within tolerance from -40°C to +85°C
6. Storage Temperature Range: -55°C to +125°C
7. Aqueous wash compatible
8. Electrical and mechanical specifications 100% tested
9. RoHS Compliant Component

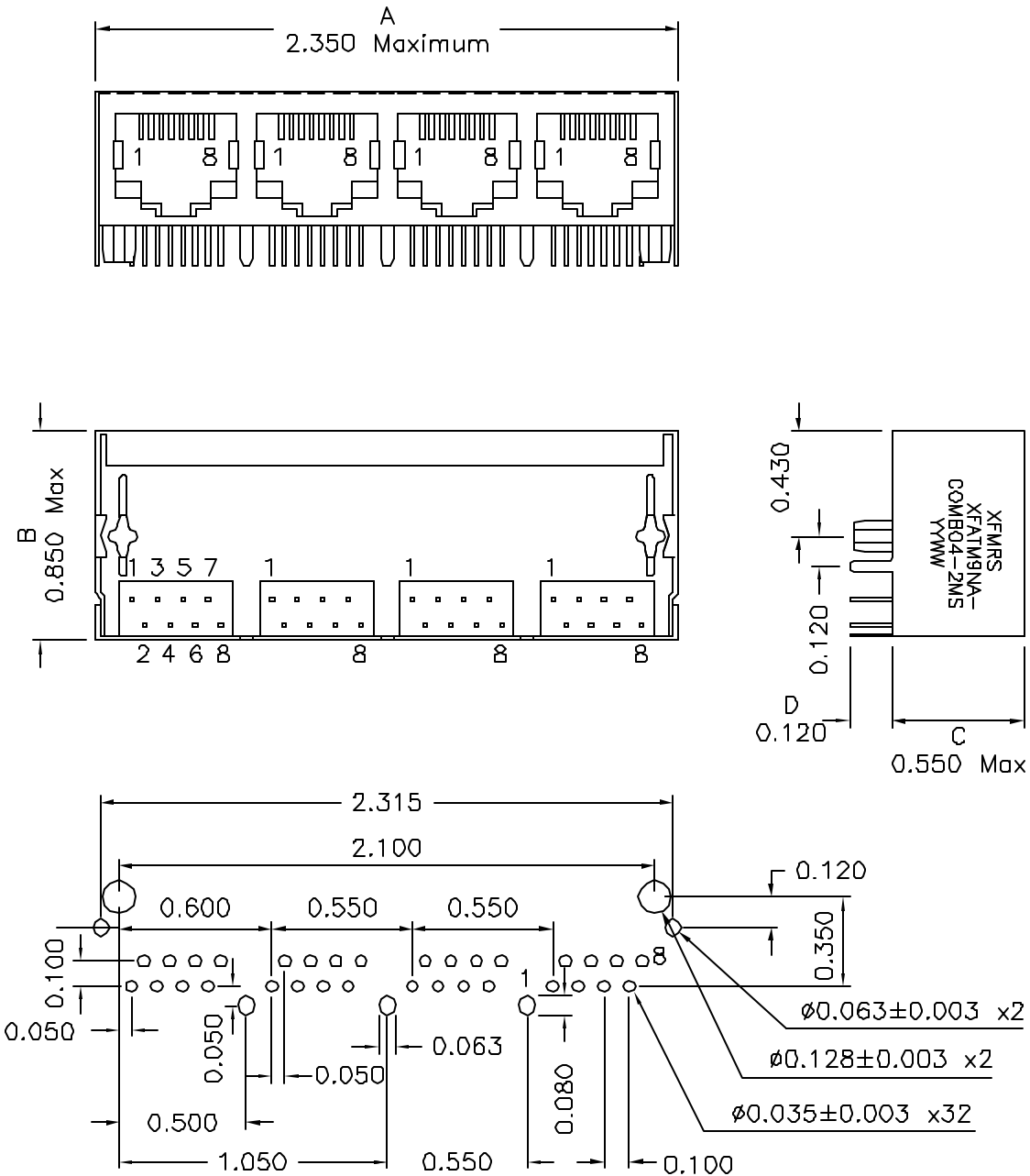
DOC. REV: A/3

XFMRs Inc. www.XFMRS.com	Title: FOUR PORT COMBO		
	UNLESS OTHERWISE SPECIFIED TOLERANCES: .xxx ±0.010		P/N:XFATM9NA-COMBO4-2MS
Dimensions in Inch	DWN.	Kang Chen	Nov-13-07
SHEET 1 OF 2	CHK.	YK Liao	Nov-13-07
	APP.	BW	Nov-13-07

PROPRIETARY:

Document is the property of XFMRS Group & is not allowed to be duplicated without authorization.

Mechanical Dimensions: (FOR COMB04-2MS)



SUGGESTED MOUNTING PATTERN

DOC. REV: A/3

XFMRs Inc. www.XFMRs.com	Title: Mechanical Dimensions For COMB04-2MS Series	
	UNLESS OTHERWISE SPECIFIED	P/N:XFATM9NA-COMB04-2MS
TOLERANCES: .xxx ±0.010	DWN.	Kang Chen
Dimensions in Inch	CHK.	YK Liao
SHEET 2 OF 2	APP.	BW
		REV. A
		Nov-13-07
		Nov-13-07
		Nov-13-07

PROPRIETARY:

Document is the property of XFMRs Group & is not allowed to be duplicated without authorization.